

Features

- Voltage Input Range 100~240V AC
- Interchangeable Medical Plugtop Adapters
- Approved to UKCA, CE, cULus, FCC, RCM (C-Tick), SAA, RoHS, REACH
- Safety standards to UL 60601-1/EN 60601-1/BS EN60601-1, AS NZS 60601-1
- Protection: OCP, SCP



Ideal Power's 44MKB2-xy-DEXU 12.5W AC/DC External Adapter Interchangeable Power Supply (PSU) Series are certified to UKCA, CE, cULus, FCC, RCM (C-Tick), SAA, RoHS, REACH & UL 60601-1, EN 60601-1, BS EN60601-1, AS NZS 60601-1 Standards and comply with (EU) 2019/1782, Level VI Efficiency Regulations. These are primarily used in Medical Industries and customised solutions are available upon request.

Models

Model Number	DC Voltage (V)	Rated Current (A)	Rated Power (W)	Efficiency (%)
44MKB2-0502500DEXU	5	2.5	12.5	80

Input Specifications

Input Voltage	90-264VAC
Frequency Range	47/63Hz
AC Current	0.4A Max (I/P 100~240V AC)
Inrush Current	COLD START at 25°C - 40A Max at 100~240V AC
Leakage Current	< 0.5mA for Class II

Output Specifications

Ripple and Noise	200mVp-p - 20MHz Bandwidth 10uF Ele. Cap. & 0.1uF Cer. Cap
Output Overshoot	10%
Line regulation	+1%
Load regulation	+5%
Turn-on delay time	3000mS
Hold up time	10mS/115V AC – 20mS/230V AC

Standards & Certifications

Safety Regulations	UL 60601-1/EN 60601-1/BS EN60601-1, AS NZS 60601-1 Approved
EMC	FCC PART 15B, EN 55014-1, BS EN 55014-1
EMS	Air Discharge +/-8KV – Contact Discharge +/-4KV - Test Criteria B

Protection

Over Current	The green mode power supply shall be hiccupped when any output operating in overload Condition (set@ Max load 110%~200%) under any line condition indefinitely. Will self-recover when the fault condition is removed.
Short Circuit	The power supply shall be hiccupped, and no damage shall occur when any output operates in a short circuit condition under any line condition indefinitely. Will self-recover when the fault condition is removed.

Environmental Conditions

	Operating	Non-Operating
Ambient Temp	-10~+40°C	-20~+60°C
Relative Humidity	10~90%	10~90%
Vibration	1.0mm, 10 ~ 25Hz, 15min. /1 cycle for each axis along X, Y,Z	The power supply shall be designed to withstand normal transportation vibration per MIL-STD-810D, method 514 and procedures X, as it's mounted in the chassis assembly and packed for shipping.
Cooling	The power supply will operate with convection cooling. Blocking of vents must not cause damage to the power supply	

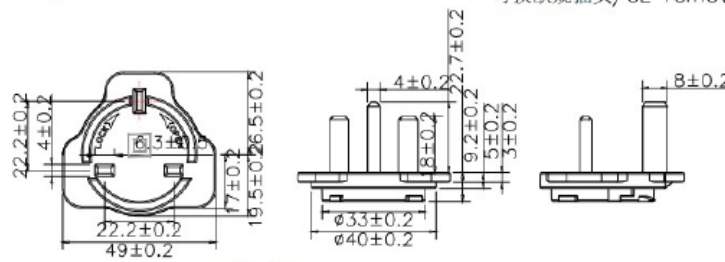
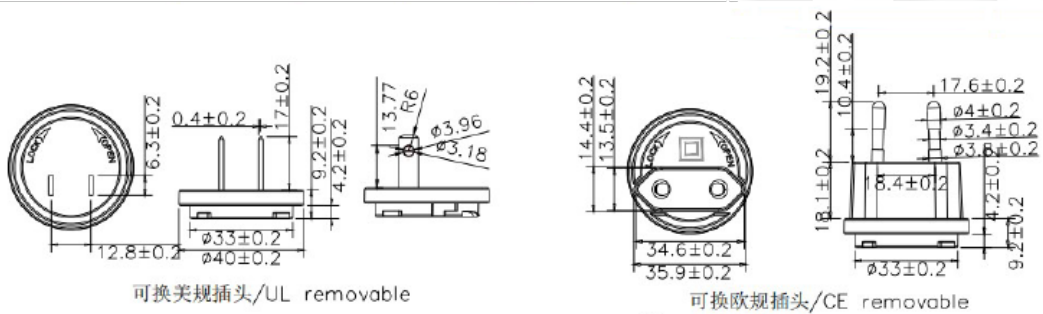
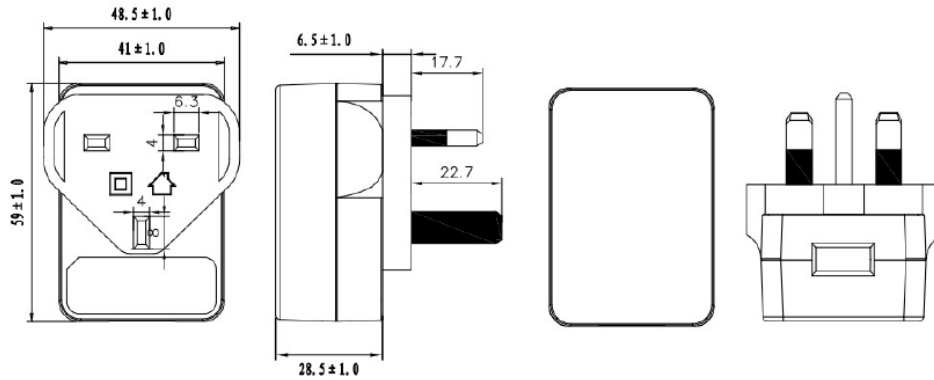
Reliability

MTBF	The predicted and demonstrated MTBF must exceed 50K hours at 25° C.
Burn-In	The power supply shall undergo a minimum of 4 hours Burn-In test under full load at 40°C ~ ±5°C
Component Derating	Semiconductor junction temperatures shall not exceed the manufacturer's maximum thermal rating
Warranty	2 years

Reliability

Size	59 x 41 x 28.5 mm
Weight	60g

Dimensions and Recommended Layout



Packaging

